

Pressure valves

shut-off valve acc.to DIN

brass, steel or stainless steel

E 09.02.01

Ed.18.01

Shut-off valve DIN 16270

Inlet with fixed male tread with spigot

Sealing washer of PTFE and wheel of heat-resistant plastic

Valve body and connection of brass, steel or stainless steel 1.4571

Option: Design per NACE, material certificate EN 10204 3.1

Form A = Outlet with LH/RH union connection DIN 16283

Form B = Outlet with union nut and shaft for mounting bracket DIN 16284



Form A = Outlet with LH/RH union connection DIN 16283

Type	Material	PN	DN	Male	LH/RH union connection	Temperature	Code nr
9016	brass *	250	15	G1/2"	G1/2"	-10+120°C	90160000
9017	steel	400	15	G1/2"	G1/2"	-10+120°C	90170000
9096	1.4571	400	15	G1/2"	G1/2"	-20+200°C	90960000

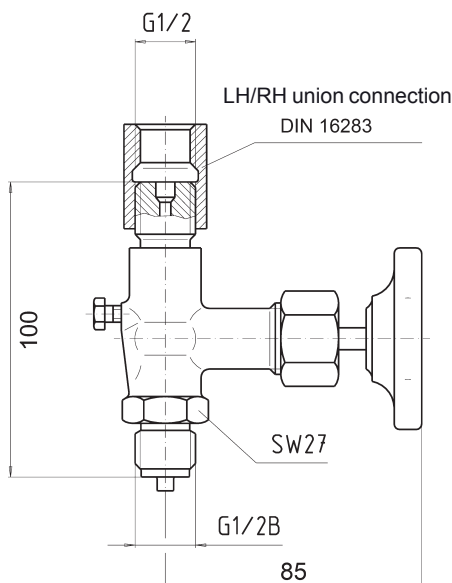
* 9016 in material brass has LH/RH union and union for wheel in material steel

Form B = Outlet with union nut and shaft for mounting bracket DIN 16284

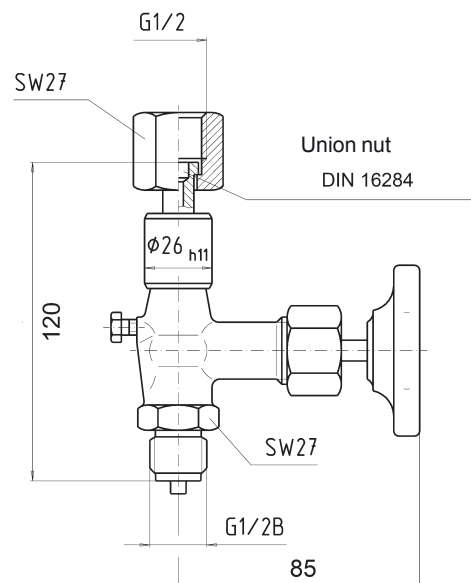
Type	Material	PN	DN	Male	Union nut	Temperature	Code nr
9509	brass *	250	15	G1/2"	G1/2"	-10+120°C	95090000
9510	steel	400	15	G1/2"	G1/2"	-10+120°C	95100000
9511	1.4571	400	15	G1/2"	G1/2"	-20+200°C	95110000

* 9509 in material brass has union nut and union for wheel in material steel

Form A = Outlet with LH/RH union connection DIN 16283



Form B = Outlet with union nut and shaft for mounting bracket DIN 16284



Pressure valves

shut-off valve acc.to DIN

brass, steel or stainless steel

E 09.02.01

Shut-off valve DIN 16271 with test connection

Inlet with fixed male tread with spigot

Test connection M20x1,5 for test gauge valve

Sealing washer of PTFE and wheel of heat-resistant plastic

Valve body and connection of brass, steel or stainless steel 1.4571

Option: Design per NACE, material certificate EN 10204 3.1



Form A = Outlet with LH/RH union connection DIN 16283

Form B = Outlet with union nut and shaft for mounting bracket DIN 16284

Form A = Outlet with LH/RH union connection DIN 16283

Type	Material	PN	DN	Male	LH/RH union connection	Temperature	Code Nr
9097	brass *	250	15	G1/2"	G1/2"	-10+120°C	90970000
9098	steel	400	15	G1/2"	G1/2"	-10+120°C	90980000
9115	1.4571	400	15	G1/2"	G1/2"	-20+200°C	91150000

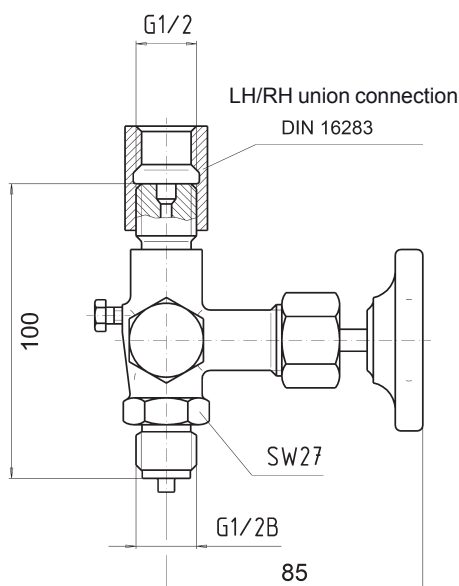
* 9097 in material brass has LH/RH union, test connection and union for wheel in material steel

Form B = Outlet with union nut and shaft for mounting bracket DIN 16284

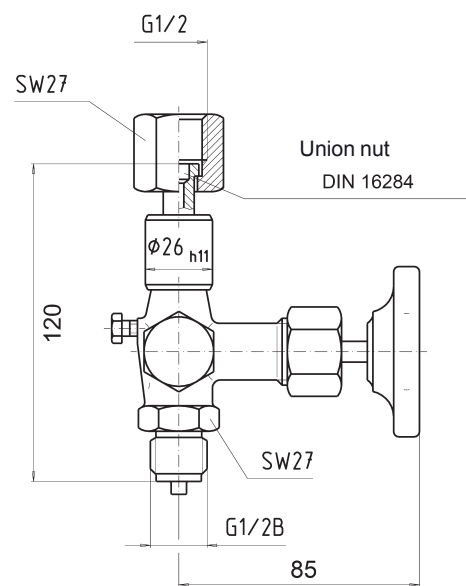
Type	Material	PN	DN	Male	Union nut	Temperature	Code Nr
9512	brass *	250	15	G1/2"	G1/2"	-10+120°C	95120000
9513	steel	400	15	G1/2"	G1/2"	-10+120°C	95130000
9514	1.4571	400	15	G1/2"	G1/2"	-20+200°C	95140000

* 9512 in material brass has union nut, test connection and union for wheel in material steel

Form A = Outlet with LH/RH union connection DIN 16283



Form B = Outlet with union nut and shaft for mounting bracket DIN 16284



Pressure valves

shut-off valve acc.to DIN

brass, steel or stainless steel

E 09.02.01

Shut-off valve DIN 16272 with test connection

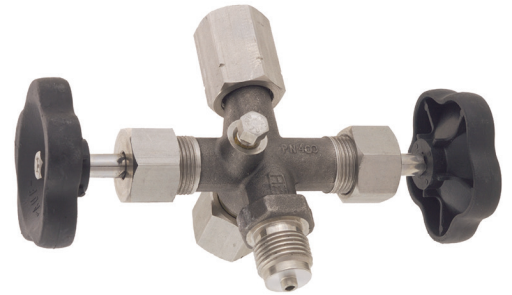
Inlet with fixed male tread with spigot

Test connection M20x1,5 for test gauge valve

Sealing washer of PTFE and wheel of heat-resistant plastic

Valve body and connection of brass, steel or stainless steel 1.4571

Option: Design per NACE, material certificate EN 10204 3.1



Form A = Outlet with LH/RH union connection DIN 16283

Form B = Outlet with union nut and shaft for mounting bracket DIN 16284

Form A = Outlet with LH/RH union connection DIN 16283

Type	Material	PN	DN	Male	LH/RH union connection	Temperature	Code nr
9099	brass *	250	15	G1/2"	G1/2"	-10+120°C	90990000
9100	steel	400	15	G1/2"	G1/2"	-10+120°C	91000000
9101	1.4571	400	15	G1/2"	G1/2"	-20+200°C	91010000

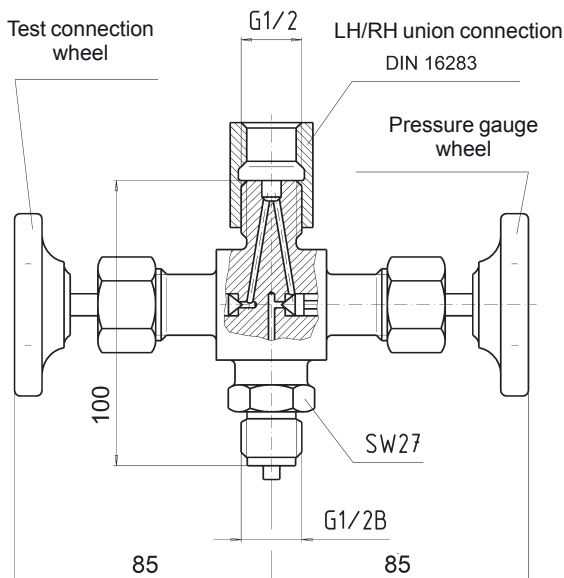
* 9099 in material brass has LH/RH union, test connection and union for wheel in material steel

Form B = Outlet with union nut and shaft for mounting bracket DIN 16284

Type	Material	PN	DN	Male	Union nut	Temperature	Code nr
9515	brass *	250	15	G1/2"	G1/2"	-10+120°C	95150000
9516	steel	400	15	G1/2"	G1/2"	-10+120°C	95160000
9517	1.4571	400	15	G1/2"	G1/2"	-20+200°C	95170000

* 9515 in material brass has union nut, test connection and union for wheel in material steel

Form A = Outlet with LH/RH union connection DIN 16283



Form B = Outlet with union nut and shaft for mounting bracket DIN 16284

